

# RD-C5107-B



## ■ Smart Eaves Lights (String Floodlights/Permanent Outdoor Lights)

Thank you for choosing the Smart Eaves Lights. In order to optimize the user experience, please read this manual carefully before operation, and keep this manual properly for future use.

---

# ▶ PRODUCT FEATURES

- 16 million colors static color adjustment, brightness adjustment
- Timer switch & countdown function
- Built-in 6 local music rhythm modes, support built-in microphone and mobile phone microphone music, support speed and sensitivity adjustment in music mode
- Built-in 15 dynamic scene modes, rainbow, flowing water, horse racing, etc.; and any DIY dynamic scene
- Support 23-key multi-function infrared remote control



IP65



50000H



Easy to install



Bluetooth control



wireless control



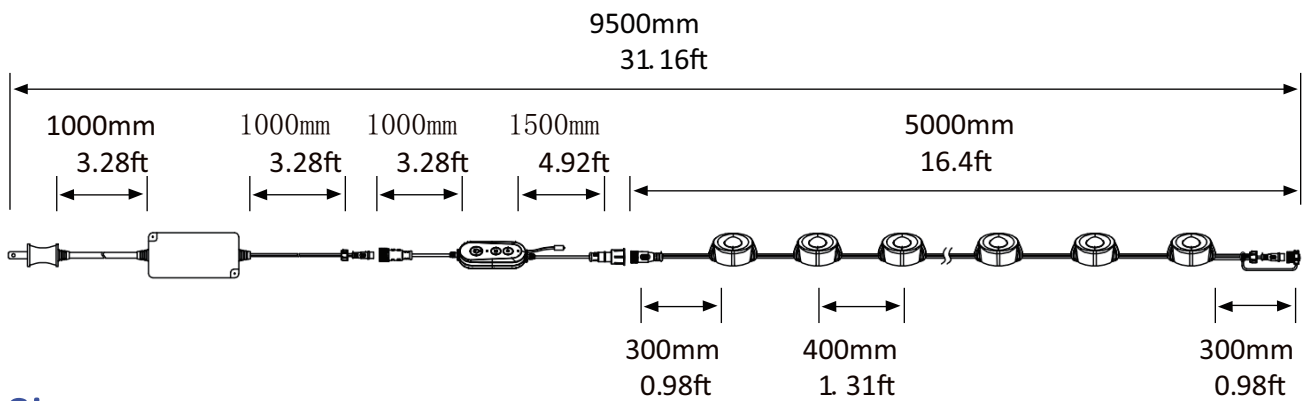
-20°C~+40°C



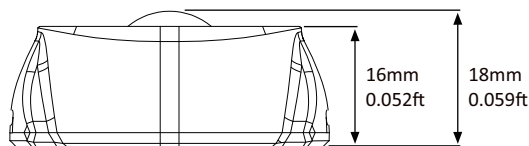
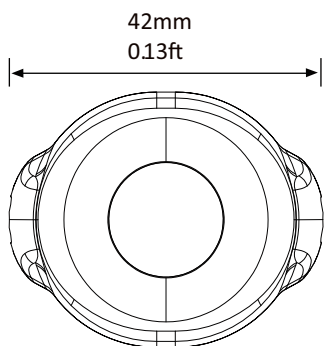


Product	RD-C5107-B
Power	72W
Input Voltage	DC36V
Input Length	300mm
Length	30000mm/98.42ft
Color Temperature\Color	RGBW
Control Method	SPI
Shell Material	PVC
Shell Color	White
Spacing	400mm
Waterproof Level	IP65
Operating Temperature	-20°C~+40°C
Certification Information	UL report、FCC-ID、Reach

▶ **DIMENSION DATA**



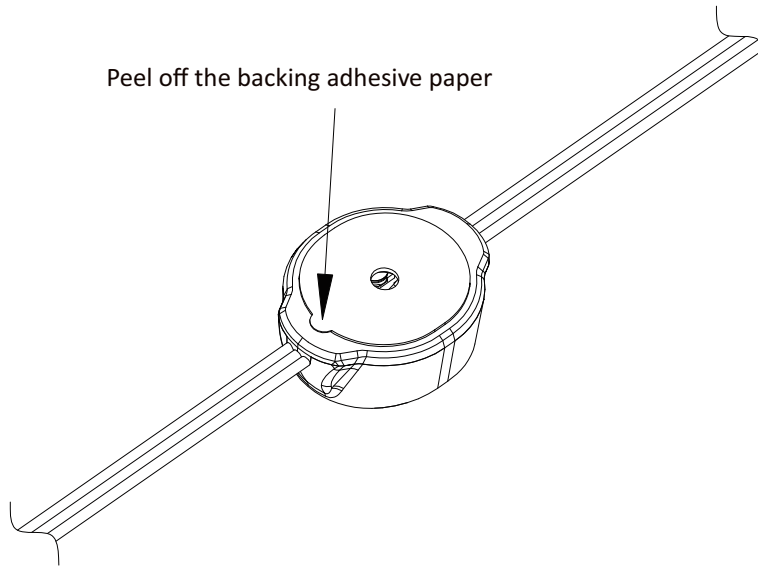
Size:



Total lights: 6pcs\*12

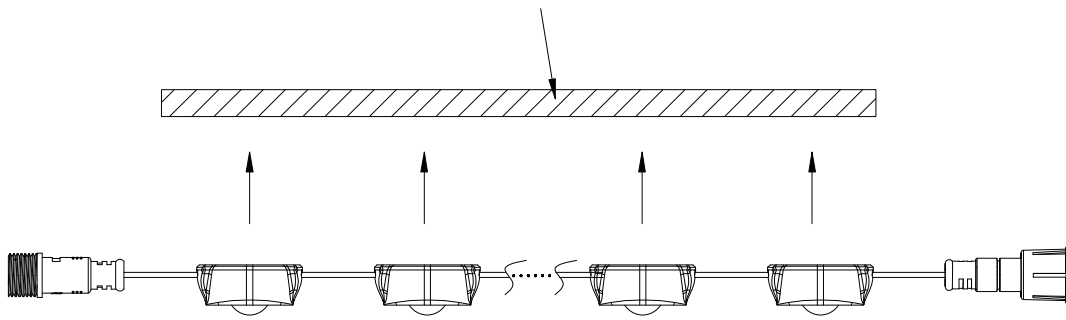
1

Peel off the backing adhesive paper



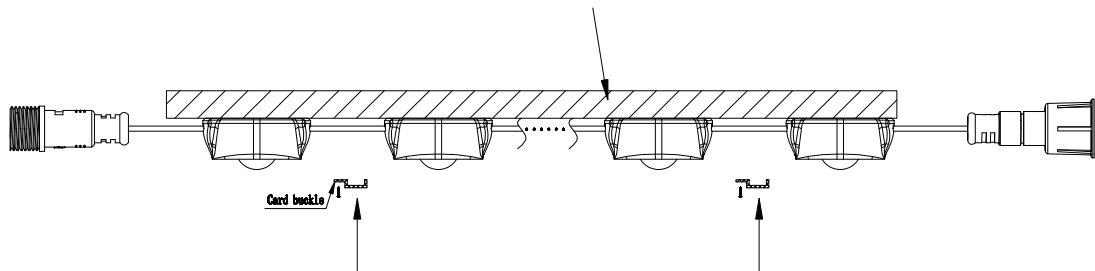
2

Fixed surface



3

Fixed surface







Timing settings



Music mode



Color settings

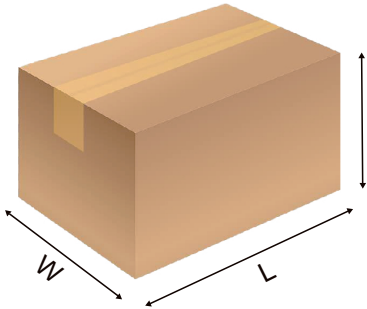


Scene mode



DIY mode





Product	RD-C5107-B
Inner Box Size L*W*H	405*270*125mm 15.94*10.62*4.92inch
Carton Size L*W*H	400*435*300mm 15.74*17.12*11.81inch
Product Weight	4.34kg
Product Gross Weight	4.82kg
Qty	3
Outer Box Weight	15.26kg

► PACKING LIST

Item	Quantity
Light String	6 strings (12 lights/string)
Power Adapter	1
User Manual	1
Remote Controller	1
3m Extension	2
Screw Pack	2(80pcs)
C022 Controller	1
3M adhesive	6